

SPECIFICATION FOR CRYSTAL FILTER MCF 45.0-50/10

Number: 93 207
Drawing: 61 9580

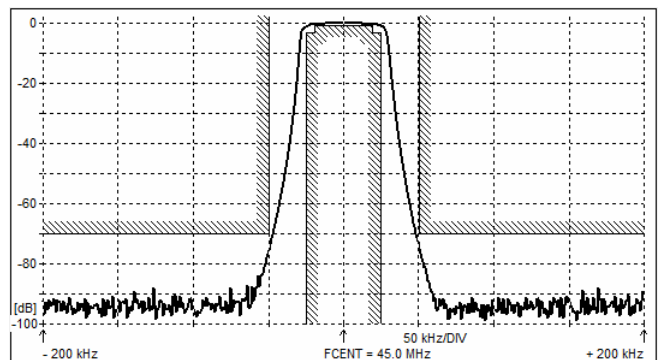
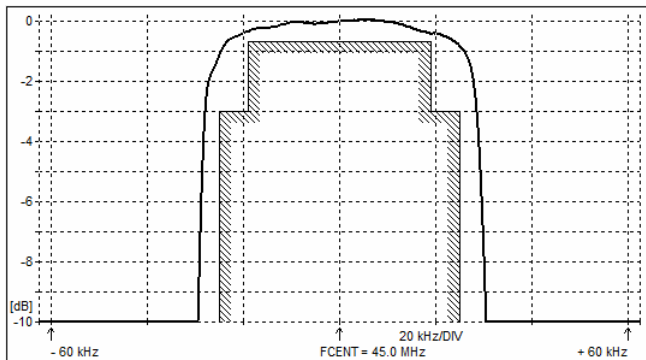
1. Electric values

- 1.0 Number of poles : 10
- 1.1 Nominal center frequency f_{nom} : 45.0 MHz
- 1.2 Bandwidth between 3 dB frequencies : $\geq \pm 25$ kHz
- 1.3 Ripple at $f_{nom} \pm 19$ kHz : ≤ 0.7 dB
- 1.4 Group delay distortion $f_{nom} \pm 19$ kHz : $\leq 20 \mu s$
- 1.5 Insertion loss : ≤ 3.0 dB
- 1.6 Return loss at $f_{nom} \pm 19$ kHz : ≤ 11.73 dB (VSWR ≤ 1.7)
- 1.7 Stop band $f_{nom} \pm 50$ kHz : ≥ 70 dB
- 1.8 Alternate attenuation : ≥ 80 dB (except spurious)
- 1.9 Terminating impedance (input and output) : 50 Ohm // 0 pF
- 1.10 Operating temperature range : $-20^{\circ}C$ to $+70^{\circ}C$
- 1.11 Case : KF 17 (38.4 x 18.2 x 13.0 mm)
- 1.12 Marking on the case :

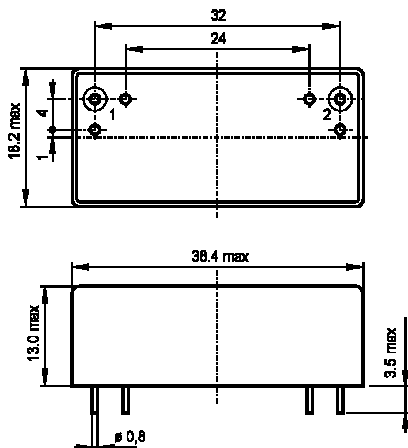
KRYSTALY HK
YYWW
45.0-50/10

YY = year
WW = week

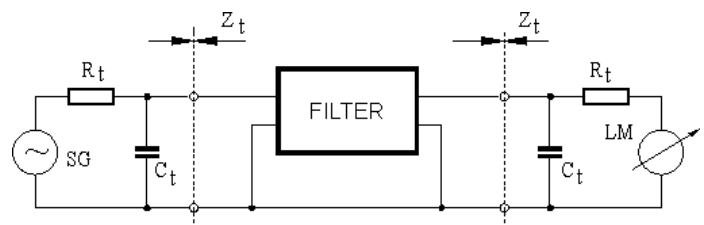
2. Characteristics MCF 45.0-50/10



Dimensions [mm] Case KF-17



Measurement Circuit



edited	02.05.2024	P. Seidl
--------	------------	----------