

**SPECIFICATION FOR CRYSTAL FILTER**  
**MCF 8.9985-2.4/10**

**Number: 93 227**  
**Drawing: 61 9580**

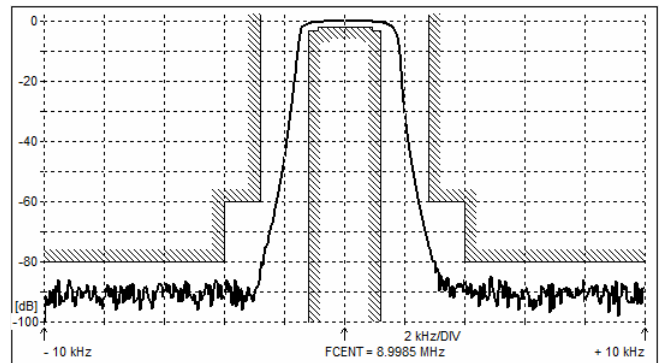
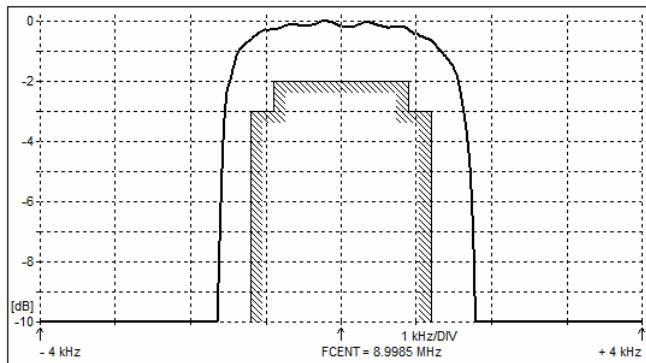
**1. Electric values**

- 1.0 Number of poles : 10
- 1.1 Nominal centre frequency  $f_{nom}$  : 8.9985 MHz
- 1.2 Bandwidth between 3 dB frequencies :  $\geq \pm 1.2$  kHz
- 1.3 Ripple at  $f_{nom} \pm 0.9$  kHz :  $\leq 2.0$  dB
- 1.4 Insertion loss :  $\leq 5.0$  dB
- 1.5 Stop band  $f_{nom} \pm 2.8$  kHz :  $\geq 60$  dB  
 $f_{nom} \pm 4.0 \dots \pm 300$  kHz :  $\geq 80$  dB
- 1.6 Terminating impedance ( input and output ) : 50 Ohm // 0 pF
- 1.7 Operating temperature range : -20°C to +70°C
- 1.8 Case : KF-17 (38.4 x 18.2 x 13.0 mm)
- 1.9 Marking on the case :

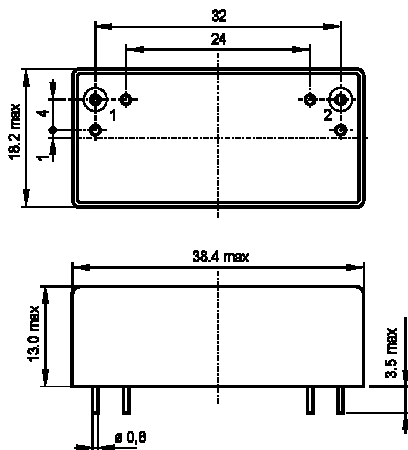
KRYSTALY HK YYWW 8.9985-2.4/10
--------------------------------------

YY = year  
WW = week

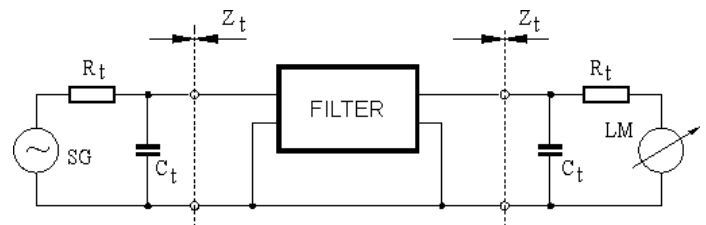
**2. Characteristics MCF 8.9985-2.4/10**



**Dimensions [mm]**  
**Case KF-17**



**Measurement Circuit**



edited	08.10.2024	P. Seidl
--------	------------	----------