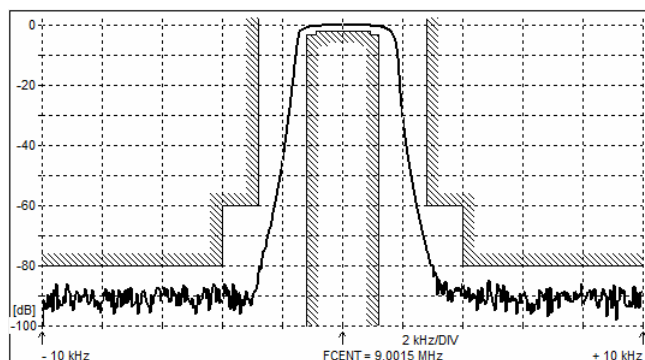
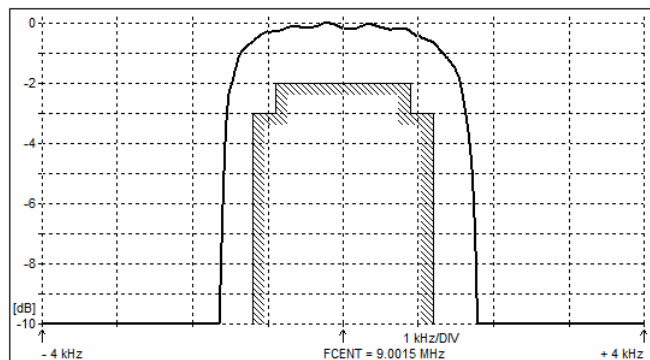
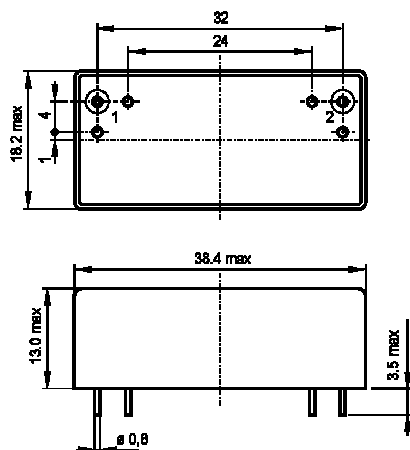
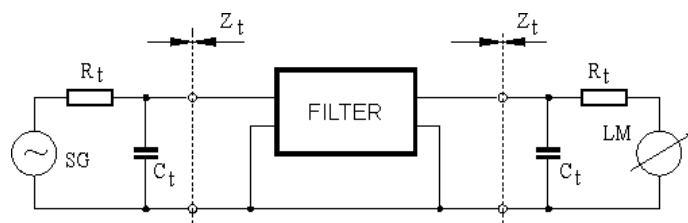


**SPECIFICATION FOR CRYSTAL FILTER**  
**MCF 9.0015-2.4/10**Number: 93 228  
Drawing: 61 9580**1. Electric values**

1.0 Number of poles :	10
1.1 Nominal centre frequency $f_{nom}$ :	9.0015 MHz
1.2 Bandwidth between 3 dB frequencies :	$\geq \pm 1.2$ kHz
1.3 Ripple at $f_{nom} \pm 0.9$ kHz :	$\leq 2.0$ dB
1.4 Insertion loss :	$\leq 5.0$ dB
1.5 Stop band $f_{nom} \pm 2.8$ kHz :	$\geq 60$ dB
$f_{nom} \pm 4.0 \dots \pm 300$ kHz :	$\geq 80$ dB
1.6 Terminating impedance ( input and output ) :	50 Ohm // 0 pF
1.7 Operating temperature range :	-20°C to +70°C
1.8 Case :	KF-17 (38.4 x 18.2 x 13.0 mm)
1.9 Marking on the case :	YY = year WW = week

KRYSTALY HK YYWW 9.0015-2.4/10
--------------------------------------

**2. Characteristics MCF 9.0015-2.4/10****Dimensions [mm]**  
**Case KF-17****Measurement Circuit**

edited 08.10.2024 P. Seidl