



SPECIFICATION FOR CRYSTAL FILTER MCF 30.0-10/06

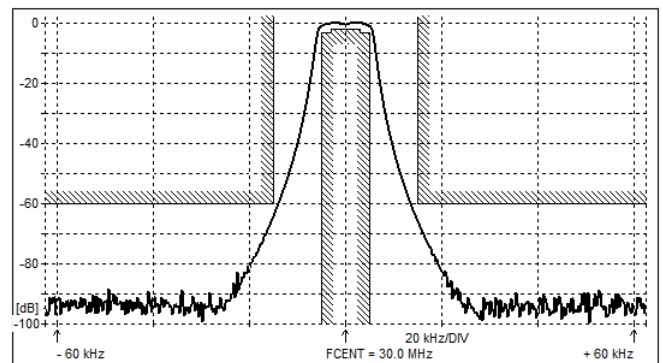
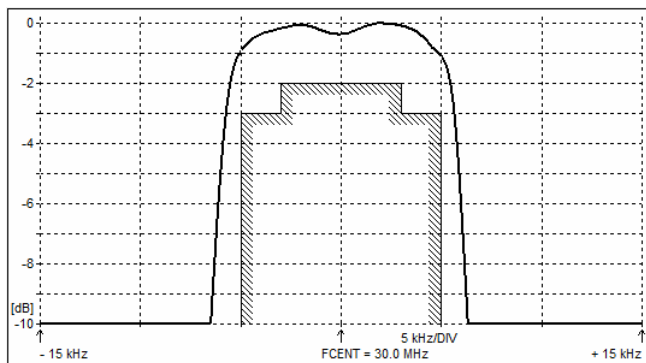
Number: 93 201
Drawing: 61 9580

1. Electric values

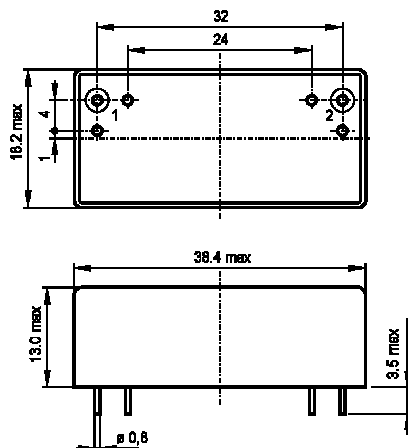
1.0 Number of poles :	6
1.1 Nominal center frequency f_{nom} :	30.0 MHz
1.2 Bandwidth between 3 dB frequencies :	$\geq \pm 5.0$ kHz
1.3 Ripple at $f_{nom} \pm 3.0$ kHz :	≤ 2.0 dB
1.4 Insertion loss :	≤ 4.0 dB
1.5 Stop band $f_{nom} \pm 15.0$ kHz :	≥ 60 dB
1.6 Alternate attenuation :	≥ 60 dB
1.7 Terminating impedance (input and output) :	50 Ohm // 0 pF
1.8 VSWR :	$\leq 2.0 : 1$ (reflexion loss ≤ -9.55 dB)
1.9 Operating temperature range :	+0°C to +70°C
1.10 Case :	KF 17 (38.4 x 18.2 x 13.0 mm)
1.11 Marking on the case :	YY = year WW = week

KRYSTALY HK YYWW 30.0-10/06

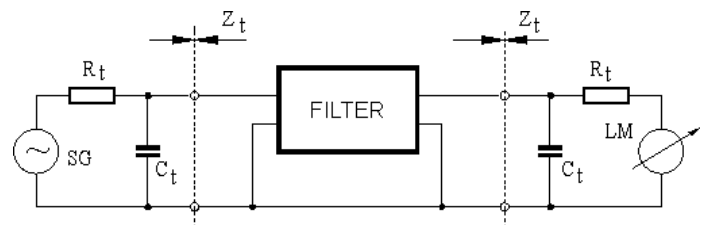
2. Characteristics MCF 30.0-10/06



Dimensions [mm] Case KF-17



Measurement Circuit



edited	14.05.2024	P. Seidl
--------	------------	----------