

SPECIFICATION FOR CRYSTAL FILTER MCF 50.0-80/06

Number: 93 202
Drawing: 61 9580

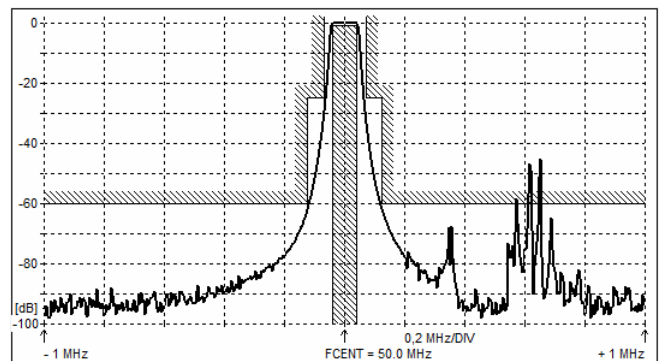
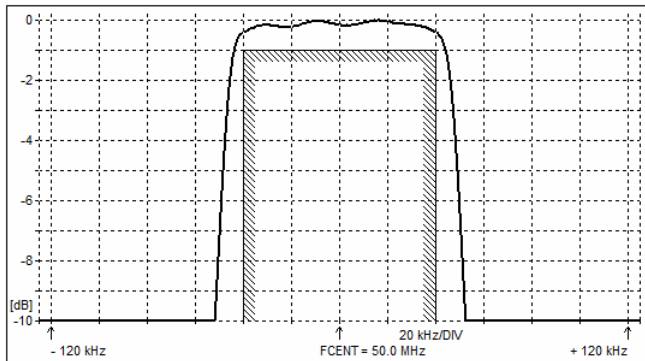
1. Electric values

- 1.0 Number of poles : 6
- 1.1 Nominal center frequency f_{nom} : 50.0 MHz
- 1.2 Bandwidth between 1 dB frequencies : $\geq \pm 40$ kHz
- 1.3 Ripple at $f_{nom} \pm 40$ kHz : ≤ 1.0 dB
- 1.4 Insertion loss : ≤ 4.0 dB
- 1.5 Stop band $f_{nom} \pm 70$ kHz : ≥ 25 dB (except spurious)
- $f_{nom} \pm 125$ kHz : ≥ 60 dB (except spurious)
- 1.6 Alternate attenuation : ≥ 60 dB (except spurious)
- 1.7 Terminating impedance (input and output) : 50 Ohm // 0 pF
- 1.8 Maximum input power level (operating) : +6 dBm
- 1.9 Operating temperature range : -10°C to +60°C
- 1.10 Case : KF 17 (38.4 x 18.2 x 13.0 mm)
- 1.11 Marking on the case :

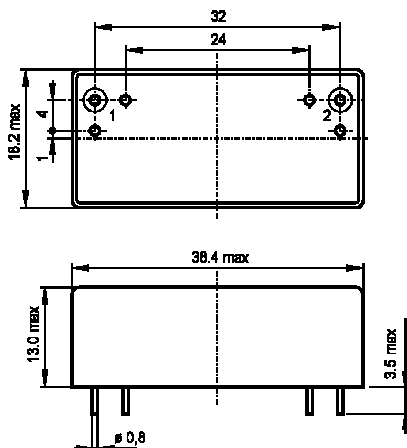
KRYSTALY HK
YYWW
50.0-80/06

YY = year
WW = week

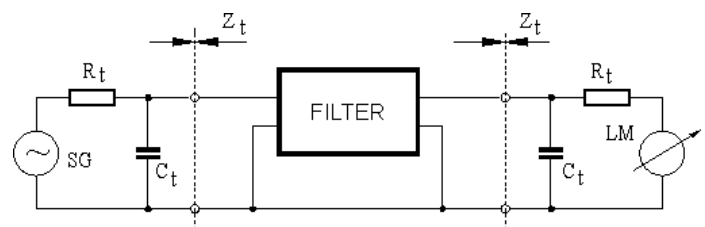
2. Characteristics MCF 50.0-80/06



Dimensions [mm] Case KF-17



Measurement Circuit



edited 12.04.2024 P. Seidl